

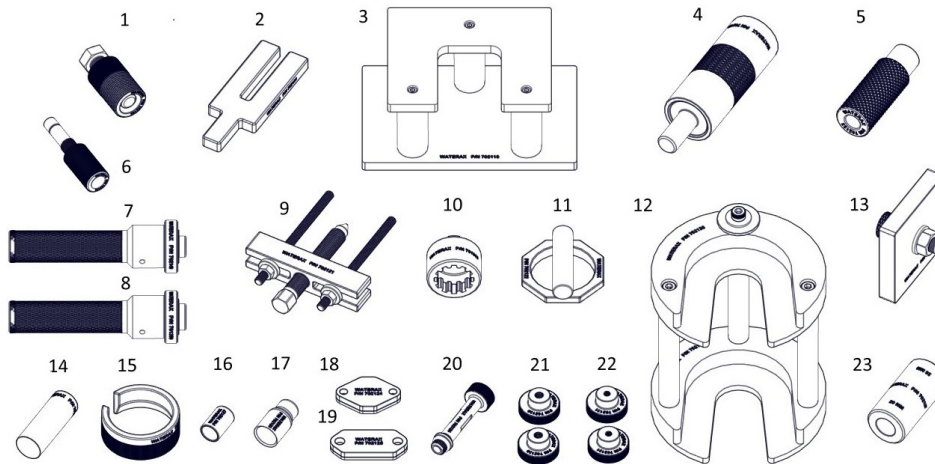
USER INSTRUCTIONS TOOL KIT ENGINE W140

USER INSTRUCTIONS

Overview

This document explains how to assemble some of the tools provided in 702108 - TOOL KIT ENGINE W140. It also provides owners with parts breakdown for spare parts.

Parts breakdown



ID	ITEM NO	DESCRIPTION	QTY	ID	ITEM NO	DESCRIPTION	QTY
--	702108	TOOL KIT ENGINE W140	--	12	702138	TOOL CRANKSHAFT SUPPORT W140	1
1	702105	TOOL FLYWHEEL PULLER W140	1	13	702132	TOOL CRANKSHAFT PULLER W140	1
2	702134	TOOL PISTON SUPPORT W140	1	14	702136	TOOL BEARING AND OIL SEAL CRANKSHAFT REMOVAL W140	1
3	702119	FIXTURE ASSEMBLY CRANKCASE W140	1	15	702126	TOOL SPANNER RING PISTON W140	1
4	702120	TOOL INSTALLER BEARING CRANKSHAFT PTO SIDE W140	1	16	702127	TOOL PROTECTIVE SLEEVE CRANKSHAFT PTO SIDE W140	1
5	702123	TOOL ROTATION AID CRANKSHAFT W140	1	17	702128	TOOL PROTECTIVE SLEEVE CRANKSHAFT MAG SIDE W140	1
6	702106	TOOL PISTON LOCKING W140	1	18	702124	TOOL FLANGE INTAKE LEAKDOWN W140	1
7	702140	TOOL OIL SEAL 20MM CRANKCASE PRESSING WATSON	1	19	702125	TOOL FLANGE EXHAUST LEAKDOWN W140	1
8	701350	SEAL INSTALLER 25MM FOR 185CC	1	20	702129	TOOL SPARK PLUG PORT LEAKDOWN W140	1
9	702121	TOOL CRANKCASE PULLER W140	1	21	702130	TOOL KNURLED NUT M8 LEAKDOWN W140	2
10	701863	TOOL GEAR COUPLING SOCKET WATSON	1	22	702131	TOOL KNURLED NUT M6 LEAKDOWN W140	2
11	702122	TOOL ROTATION HOLD CRANKSHAFT W140	1	23	702137	TOOL BEARING PRESSING CRANKSHAFT W140	1

Assembly:

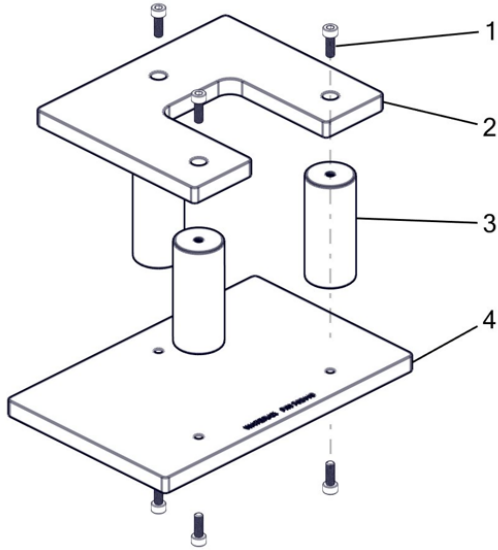
702119 - FIXTURE ASSEMBLY CRANKCASE W140

Tools Required:

- METRIC Hex L-key or Hex Socket: 4mm

Steps:

1. Secure the 3 posts to the top and bottom plates using the provided screws.



ID	ITEM NO	DESCRIPTION	QTY
--	702119	FIXTURE ASSEMBLY CRANKCASE W140	--
1	701744	SCREW M5X0.8X14 HEX SOCKET CAP SS DIN912	6
2	--	FIXTURE ASSEMBLY CRANKCASE W140 - TOP PLATE	1
3	--	FIXTURE ASSEMBLY CRANKCASE W140 - POST	3
4	--	FIXTURE ASSEMBLY CRANKCASE W140 - BASE PLATE	1

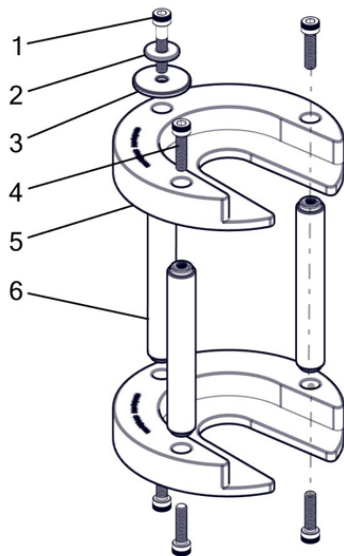
702138 - TOOL CRANKSHAFT SUPPORT W140

Tools Required:

- METRIC Hex L-key or Hex Socket: 6mm

Steps:

1. Secure the 3 shafts to the plates according to orientation shown in the picture below.
2. Note location of longer screw and washers.



ID	ITEM NO	DESCRIPTION	QTY
--	702138	TOOL CRANKSHAFT SUPPORT W140	--
1	--	TOOL CRANKSHAFT SUPPORT W140 - SCREW M8X1.25X40MM	1
2	--	TOOL CRANKSHAFT SUPPORT W140 - OVERSIZE WASHER M8	1
3	--	TOOL CRANKSHAFT SUPPORT W140 - WASHER	1
4	--	TOOL CRANKSHAFT SUPPORT W140 - SCREW M8X1.25X30MM	5
5	--	TOOL CRANKSHAFT SUPPORT W140 - PLATE	2
6	--	TOOL CRANKSHAFT SUPPORT W140 - SHAFT	3

WATERAX

All information contained in this document including drawings is proprietary to *WATERAX* and may not be copied, reproduced or used in whole or in part without our prior written permission. The information in this document is subject to change without notice. Model displayed with multiple options. Weight and dimensions are approximated and may vary depending on options.

WATERAX INC.

6635 Henri-Bourassa W.
Montreal, QC H4R 1E1

T 514 637-1818

F 514 637-3985

TF 1 855 616-1818

info@waterax.com

waterax.com

To help you stay **#ReadyForWildfires**, we've made a few changes, placing 100% of our focus on manufacturing our core products, portable fire pumps.

To do so, we've established a network of trusted supply and distribution partners that can help us provide *WATERAX* pumps quickly in addition to water-handling equipment and accessories.

For immediate assistance when it comes to pumps and water-handling accessories, please [contact your local dealer](#).

For genuine spare parts, visit our [online store](#).

Copyright © 2023 WATERAX Inc.

Publication Number: 702145, Rev.1 All rights reserved. Printed in Canada.

