

# VERSAX® SERIES

## VERSAX CART KIT



### SELF-PRIMING 2-STAGE FIRE PUMP

The **WATERAX VERSAX-6** and **VERSAX-9** are versatile, rugged, and economical twin impeller self-priming pumps. These units are driven by **6 HP and 9 HP Honda engines**. They produce maximum pressures of 120 PSI (8.3 BAR) and 150 PSI (10.3 BAR). They also produce flow rates of up to 105 US GPM (397 L/min). Their compact design makes them ideal for a variety of applications such as firefighting, tank filling and water transfers.

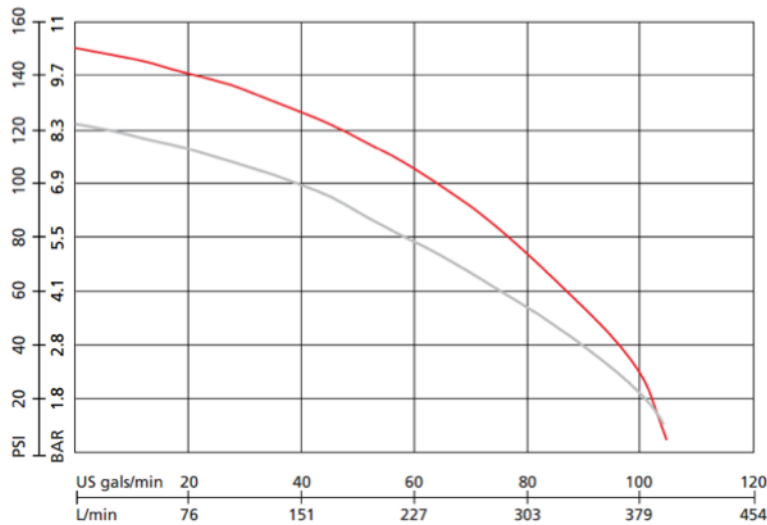
#### Applications

- Firefighting
- Tank filling
- High head general water transfer
- Boom spraying
- Irrigation

#### Features and Benefits

- Twin impeller design provides additional pressure for longer & higher pumping applications.
- Pump casing and diffusers manufactured from quality corrosion resistant grade aluminum for long life.
- Nylon glass fiber reinforced impellers fully corrosion proof and lightweight.
- 3-way discharge port for easy installation.
- Powder coated casing for added corrosion resistance.
- Self-priming for more versatile installation options.
- Easy to access drain port.
- Low oil protection.
- Comprehensive user and service manuals.
- EPA certified.

## SPECIFICATIONS



### — Honda GX200 - 6

#### **HONDA** **ENGINES**

Weight: 56 Lbs (25 Kg)  
 Engine brand: Honda GX200 Series  
 Engine type: Gas 4-Stroke

#### Flow rate at specified pressure

Maximum pressure: 120 PSI (8.3 bar)  
 Free flow: 105 US gals/min (397 L/min)  
 Maximum head: 277' (84m)

Flow Rate			Pressure	
US GPM	(LPM)		PSI	(BAR)
83	(314)	@	50	(3.4)
63	(238)	@	75	(5.2)
38	(144)	@	100	(6.9)

### — Honda GX270 - 9

#### **HONDA** **ENGINES**

Weight: 79 Lbs (36 Kg)  
 Engine brand: Honda GX270 Series  
 Engine type: Gas 4-Stroke

#### Flow rate at specified pressure

Maximum pressure: 150 PSI (10.3 bar)  
 Free flow: 105 US gals/min (397 L/min)  
 Maximum head: 347' (106m)

Flow Rate			Pressure	
US GPM	(LPM)		PSI	(BAR)
92	(348)	@	50	(3.4)
80	(303)	@	75	(5.2)
64	(242)	@	100	(6.9)

### Pumps Specifications:

Type: 2-stage Self-Priming Centrifugal Pump  
 Maximum Allowable Pressure: 190 PSI (13.1 bar)  
 Intake: 2" Male NPT Thread (Other connector options available)  
 Discharge: Manifold: (2) 1" Male NPT and (1) 1.5" NPT ports with hard anodized aluminum caps.  
 Priming Port: 2" Male BSP with hard anodized aluminum cap  
 Body & Diffusers: Anodized corrosive resistant aluminum  
 Impellers: 6.28 inches (160 mm) Diameter; Reinforced glass fiber nylon composite.  
 Wear Rings: Reinforced glass fiber nylon composite; replaceable.  
 Pump Shaft: Extension off engine drive shaft.  
 Pump Seal: Maintenance Free; Mechanical Type.  
 Drive Unit: Engine, Direct drive off engine PTO shaft.  
 Color: Red Powder Coat.

## SPECIFICATIONS

### Engines Specifications:

Model & Type:	Honda GX200 Series, 4-stroke horizontal shaft, OHV, air cooled gasoline Honda GX270 Series, 4-stroke horizontal shaft, OHV, air cooled gasoline Honda GX270E Series, 4-stroke horizontal shaft, OHV, air cooled gasoline
Net Power Output:	5.5 HP (4.1 kW) @ 3,600 RPM 8.5 HP (6.3 kW) @ 3,600 RPM
Net Torque:	9.1 lb-ft. (12.4 Nm) @ 2,500 RPM 14.1 lb-ft. (19.1 Nm) @ 2,500 RPM
Bore & Stroke:	2.68 x 2.13 inches (68 x 54 mm) 3.03 x 2.28 inches (77 x 58 mm)
Displacement:	11.96 cubic inches (196 cc) 16.48 cubic inches (270 cc)
Starting System:	Manual; Recoil Manual; Recoil with Electric Start Option (for GX270E only)
Ignition:	Transistorized magneto/Digital CDI with variable ignition timing
Governor:	Mechanical
Cooling:	Air Cooled
Lubrication:	Oil, Splash
Oil Capacity:	0.63 quarts (0.6 liters) 1.16 quarts (1.1 liters)
Emissions:	Meets current CARB, EPA, and CE requirements.
Fuel Type:	Gasoline [unleaded, 86 minimum octane, 10% maximum ethanol]
Integrated Fuel Tank Option:	3.3 US quarts (3.1 liters) with manual shut off valve 5.6 US quarts (5.3 liters)
Muffler:	Canister type with forestry approved spark arrestor

### Frame Specifications:

Cart Kit: Cart system with 10" wheels and equipment pouch.

### Controls:

Engine supplied controls: Engine Choke Lever, Throttle Lever, Fuel Valve Lever, and On/Off Switch.  
Start/Stop switch (GX270E) and Low Oil Led (GX270E).

## PRODUCT SELECTION MATRIX

		VS2-6C	VS2-9C	VS2-9EC
Cart System	10" wheels, equipment pouch, suction and discharge hose, nozzle	S	S	S
Discharge Adaptors	1" NPSH Cap	S	S	S
	1-1/2" NPSH Cap	S	S	S
	Instantaneous Coupling	S	S	S
Electric Start	12V Battery	—	—	S
Dry Weight		112 lbs (52.5 kg)	142 lbs (64.3 kg)	160 lbs (72.4kg)

Standard      s  
Not Applicable —

## TECHNICAL DRAWINGS

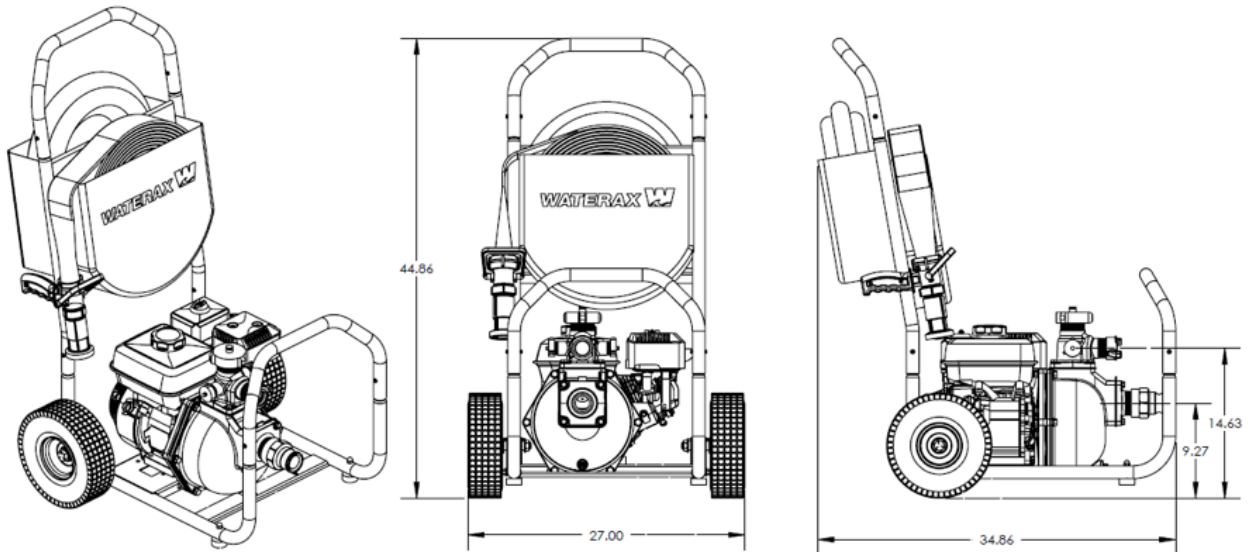
**VS2-6C**

Length 34.86" (88.5 cm)

Width 27" (68.6 cm)

Height 44.86" (113.9 cm)

Weight 112 lbs (52.5 kg)



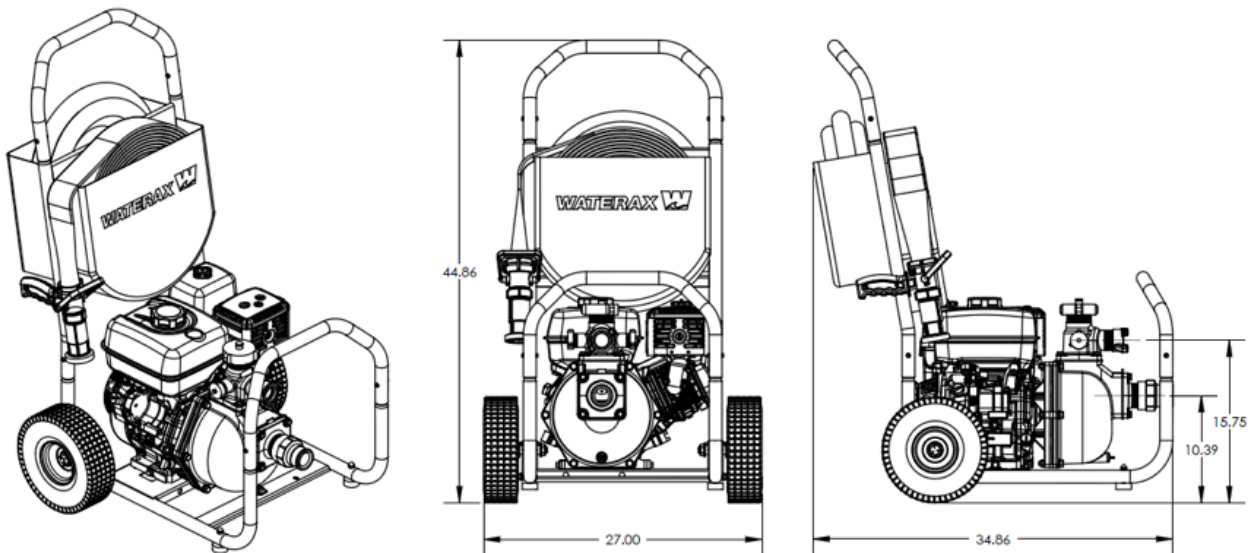
**VS2-9C**

Length 34.86" (88.5 cm)

Width 27" (68.6 cm)

Height 44.86" (113.9 cm)

Weight 142 lbs (64.3 kg)



## TECHNICAL DRAWINGS

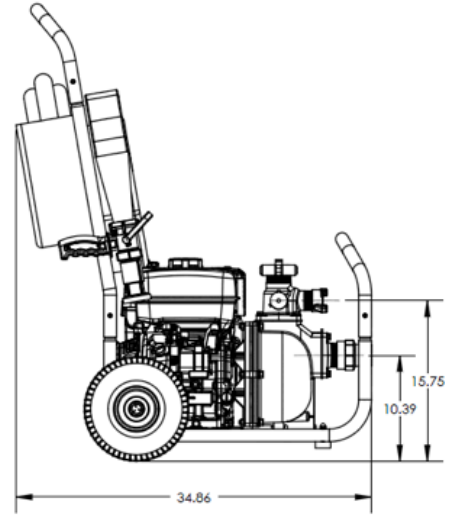
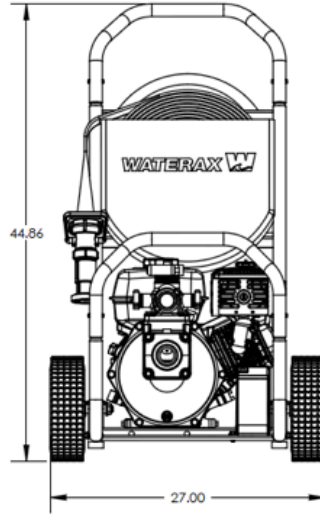
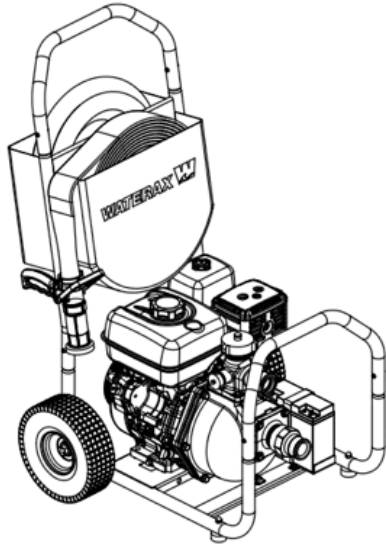
**VS2-9EC**

Length 34.86" (88.5 cm)

Width 27" (68.6 cm)

Height 44.86" (113.9 cm)

Weight 160 lbs (72.4 kg)





**WATERAX Inc.**  
6635 Henri-Bourassa W.  
Montreal, QC H4R 1E1

**TF 855-616-1818**

**T** 514-637-1818

**F** 514-637-3985

info@waterax.com  
www.waterax.com

Distributed by:

All information contained in this document including drawings is proprietary to *WATERAX* and may not be copied, reproduced or used in whole or in part without our prior written permission. The information in this document is subject to change without notice. Model displayed with multiple options. Weight and dimensions are approximated and may vary depending on options.