



MINI-STRIKER®

QUICK GUIDE

- This Quick Guide shows the basic operation of the *WATERAX* MINI-STRIKER portable pump.
- The *WATERAX* MINI-STRIKER is a portable single-stage pump end paired with a Honda GXH50 gasoline engine. For instructions regarding the engine, as well as for oil and fuel recommendations, please refer to the engine manufacturer's manual.
- For detailed instructions on using and troubleshooting your pump, as well as full service and maintenance instructions, refer to our website to download the MINI-STRIKER Owner's Manual.
- For full specifications and performance curves, see the MINI-STRIKER Data Sheet.



Warnings and Safety Precautions

This warning label appears on all *WATERAX* pumps to identify safety hazards as follows:



READ YOUR ENGINE MANUAL!

Before proceeding further, locate and read the engine manufacturer's manual. It contains very important safety information that **MUST** be read, understood and followed to safeguard you and your equipment from harm, as well as for the proper use and care of your engine. Use only fuel and oil type recommended in the engine manufacturer's manual. Always check oil level in crankcase before use.



WEAR EAR AND EYE PROTECTION.

Always wear eye and ear protection when operating the pump unit. Sound level of the unit: 91 dB(A).



GENERAL WARNINGS:

- Do not operate if mentally or physically fatigued.
- Inspect hoses and piping to avoid burst injuries.
- No modifications and/or alterations may be made to the pump. Any such modifications void the pump warranty and can endanger pump operators.
- Do not operate the pump above the maximum rated pressure. Use only pipe, hose, and fittings rated at or above the maximum pressure rating of the pump or system design.
- Slowly close valves. Use slow close valves wherever possible to safeguard operators and prevent damage from water hammer.
- Dry weight of the unit: 20 lbs.

QUICK GUIDE



READ THE PUMP OWNER'S MANUAL!

The improper use of this pump could result in serious injuries as well as damage to the unit. Read the *MINI-STRIKER Owner's Manual* before using your MINI-STRIKER pump unit and follow the safety instructions in this Quick Guide.



NEVER RUN THE ENGINE IN A CLOSED OR CONFINED AREA.

Exhaust gas contains carbon monoxide which is poisonous to humans. Avoid inhalation of exhaust gas.



REFUEL ENGINE WITH CARE.

Gasoline is extremely flammable, and gasoline vapor can explode. Refuel in a well-ventilated area, with the engine stopped.



NEVER TOUCH ANY EXHAUST SYSTEM PARTS WHILE ENGINE IS RUNNING.

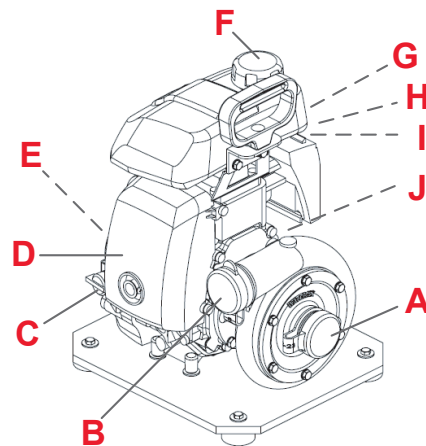
Always allow enough time, after stopping the unit, for proper cooling of these parts and surrounding areas.

EQUIPMENT DAMAGE PREVENTION:

- Flush the pump with fresh water if the pump has been used to pump salty, brackish, high mineral content water, water containing debris, or foam injected water. Check that debris is cleared before using the pump again.
- Always draft water using a suction hose strainer.

Parts Identification

- A. Pump intake (suction)
- B. Pump discharge
- C. Ignition switch
- D. Muffler
- E. Recoil starter (not shown)
- F. Fuel cap
- G. Fuel valve (not shown)
- H. Choke (not shown)
- I. Throttle (not shown)
- J. Oil filler dipstick (not shown)



QUICK GUIDE

To operate the MINI-STRIKER unit:

1. **Fill the fuel tank with recommended fuel grade and securely replace cap.** Check oil level (see engine manual).

2. **Connect the suction hose and footvalve strainer,** using a universal hose coupling wrench to tighten coupling firmly.

NOTE: If desired, a suction hose with a footvalve may be filled at this time to shorten pump priming

3. **Connect discharge hose, nozzles, etc., to pump,** and tighten firmly with coupling wrench.

4. Prime the pump

Use a *WATERAX* hand primer. Pump can also be primed by “jerking” the suction hose until water flows from the pump’s discharge port.

5. Start the engine

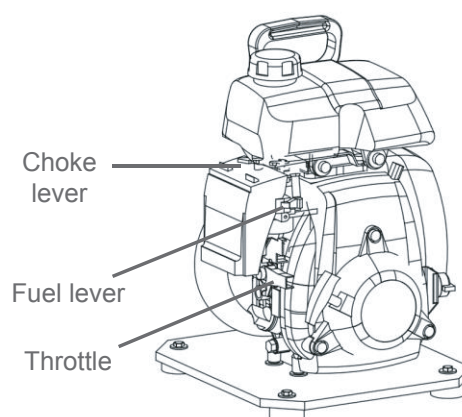
- Open fuel valve.
- Close/engage choke, if engine is cold.
- Increase throttle past the idle position.
- Position the ignition switch to the ON position.
- Give starter rope a quick and steady pull until engine starts.
- Open/disengage choke.
- Allow the engine to warm up for at least 2 minutes before using full throttle.

6. Discharge water.

- Once the pump is primed, and with the engine running, you can begin to discharge water.
- If pressure does not build in the discharge hose, the pump has not been fully primed. Prime the pump again.
 - Adjust the pump performance by throttling the engine up or down, or opening or closing discharge valves at various positions, or any combination of the two.

! **DO NOT** allow the strainer to rest on bottom of lake or riverbed. Check strainer frequently to make sure that it is not clogged with moss, leaves, etc.

! **DO NOT** lift strainer from water while the pump is operating. Use a rope or other means to keep strainer at proper height, approximately 1 foot (30 cm) below water surface. If strainer is too close to the water surface, it will draw air and pump may lose prime.



! **DO NOT** leave the pump running with all the discharge valves closed for more than one minute, or else the pump may overheat and become damaged. To avoid this, a re-circulation line (if provided) should be opened or a discharge line left slightly open to allow fresh water to continue to enter the pump.

To shut down and store the MINI-STRIKER:

1. **Shut down the pump.**
 - a. Gradually reduce the engine speed.
 - b. Whenever the unit has been run at full throttle for most of the operation, allow the valves to remain slightly open and run the engine at idle for approximately 2 minutes before shutting down the unit.
 - c. If the unit is to be stored, move the fuel valve lever to the OFF position and wait for the engine to stop. Otherwise, set the ignition switch to the OFF position to shut down the engine.
 - d. Close off the hydrant/supply to the pump.
 - e. Open all valves to relieve any pressure left in the system..

2. **Check and store the pump.**
 - a. If the pump was last run with foam or water that is salty, brackish or high in mineral content, flush the pump with fresh water for a minimum of 2 minutes or until the water is clear.
 - b. After the unit has cooled down, check all fluid levels and add as needed.
 - c. Completely drain the pump of all water.
 - d. Break down and store all equipment as outlined by the apparatus or department procedures.
 - e. Visually inspect the pump end. Clean any dirt or debris from the pump unit. If necessary, a mild soap and water solution can be used. Note and report any performance irregularities or any abnormal mechanical sounds.
 - f. Close all valves and plug all openings.
 - g. Follow any other product, component, apparatus, and departmental procedures and/or guidelines before placing the unit in storage. Make sure all necessary tools, spares, and accessories are with the pump.

To operate the MINI-STRIKER in cold weather:

- The pump can be run in below freezing temperatures if certain precautions are taken to avoid the formation of ice in the pump.
- After priming the pump, the unit should be run at low speed for a short period of time to allow all components to warm up before continuing with the remaining operating procedures.
- Unless wrapped in a heater, drain the pump of all water if it is stopped for any length of time. The engine/drive unit should be turned over a few revolutions to make sure all water has been removed from the pump. Drain the pump priming line if a primer has been used.
- After use, drain the pump, manifolds, and lines of all water. You can also pour some antifreeze into the pump and circulate it through the pump and plumbing system.

Warranty, Service and Support

Product and service documentation such as tech notes, data sheets, manuals and information on the limited warranty provided on products manufactured by WATERAX can be found on our Web site at: www.waterax.com



WATERAX

All information contained in this document including drawings is proprietary to *WATERAX* and may not be copied, reproduced or used in whole or in part without our prior written permission. The information in this document is subject to change without notice. Model displayed with multiple options. Weight and dimensions are approximated and may vary depending on options.

WATERAX INC.

6635 Henri-Bourassa W.
Montreal, QC H4R 1E1

T 514 637-1818

F 514 637-3985

TF 1 855 616 616-1818

info@waterax.com

waterax.com

To help you stay **#ReadyForWildfires**, we've made a few changes, placing 100% of our focus on manufacturing our core products, portable fire pumps.

To do so, we've established a network of trusted supply and distribution partners that can help us provide *WATERAX* pumps quickly in addition to water-handling equipment and accessories.

For immediate assistance when it comes to pumps and water-handling accessories, please contact your local dealer.

For genuine spare parts, visit our online store.

MINI-STRIKER® is a trademark of Waterax.



**WE MOVE
WATER**