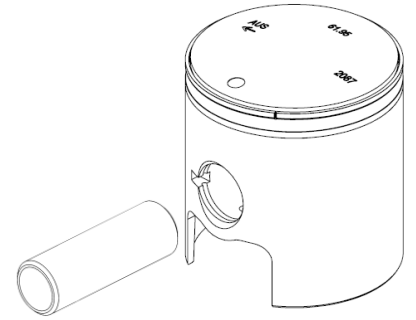


MARK-3®

SERIES



GUDGEON PIN INSTALLATION

Overview:

The 185cc gudgeon pin (item no 800030) can occasionally be difficult to install. The following Tech-Note will provide tips to facilitate its installation.

Gudgeon pin installation:

The gudgeon pin can sometimes be challenging to install due to very tight clearances and tolerances between the gudgeon pin outside diameter and the piston pin bores.

In the event the pin does not slide in freely, it is recommended to heat up the piston prior to installing the pin. The piston can be warmed up in the oven for approximately 90 seconds at 135°C / 275°F. The heat will make the piston expand a few microns, which will allow the piston pin to slide in freely. The piston will be hot to the touch (~50°C / ~122°F): it is recommended to wear heat protective gloves during the handling and installation. This process will help avoid damaging the piston and pin during the installation. It is also important to freely lubricate the components with oil during installation as per standard procedure.

