

## MARK-3<sup>®</sup> 185cc Ignition Systems & Spare Parts

### TECH-NOTE

#### Point ignition magneto cup – Stock depletion

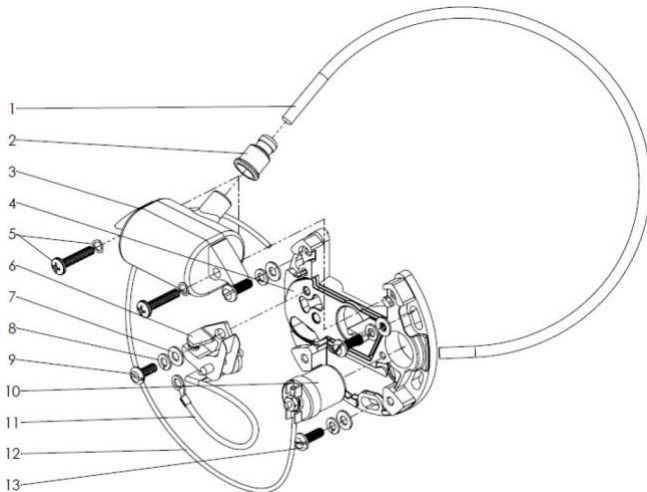
This is an official notice to advise all MARK-3 customers that the stock of point ignition magneto cup has been **depleted**. With the tooling obsolete since **2003**, this **magneto cup will no longer be supported**.

All other components pertaining to the point ignition system (coil, condenser, breaker point, armature plate complete) are available and will **continue to be offered** by WATERAX.



POINT IGNITION MAGNETO CUP: OBSOLETE

#### Available Point Ignition Spare Parts

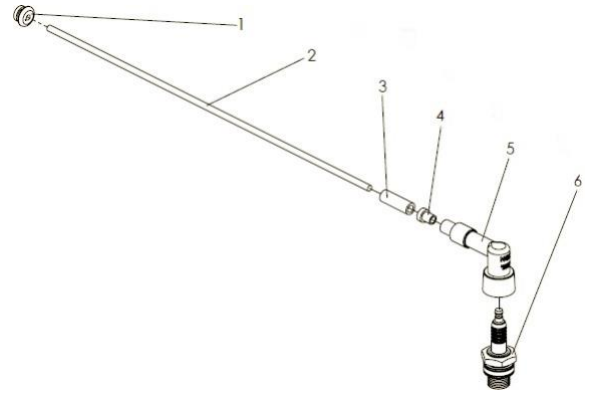


ID	ITEM NO	DESCRIPTION	QTY
-	800124	R-656 ARMATURE PLATE COMPLETE	-
1	800108	R-630 IGNITION CABLE 5MM 365MM LG	1
2	800116	R-654 CAP	1
3	800085	R-661 COIL ONLY (POINTED ENGINE)	1
4	800122	R-659 ARMATURE PLATE (W/ FELT WIPER)	1
5	800497	R-655 SCREW M4X0.7X20 PHILLIPS W/ WASHER	2
6	800079	R-664 POINT WITH CABLE CONDENSOR	1
7	800551	R-637 WASHER M4 FLAT ZINC	4
8	800540	R-611 LOCKWASHER M4 SPLIT ZINC	4
9	800494	R-665 SCREW M4-0.7X10 SLOT PAN	1
10	600527	R-662 CONDENSER	1
11	800109*	R-628 CONDENSER CABLE	1
12	800105	R-634 CABLE 16.5"LG. STOP SWITCH	1
13	800110	R-638 MACH. SCREW, PAN SLOTTED	3

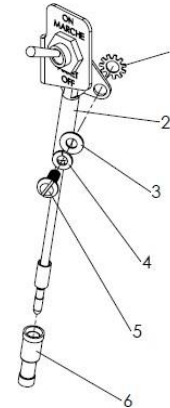
\*800109 is included in item 800079

# TECH-NOTE

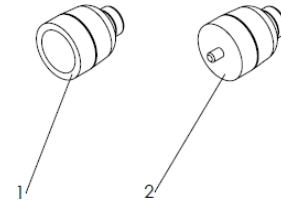
ID	ITEM NO	DESCRIPTION	QTY
1	800074	R-636 GROMMET	-
2	800108	R-630 IGNITION CABLE 5MM 365MM LG	-
3	800111	R-645 RUBBER SLEEVE 30MM	-
4	800114	R-650A PROTECTOR	-
5	800121	R-650 PROTECTOR, SPARK PLUG	-
6	800850	R-629 SPARK PLUG 18 MM	-



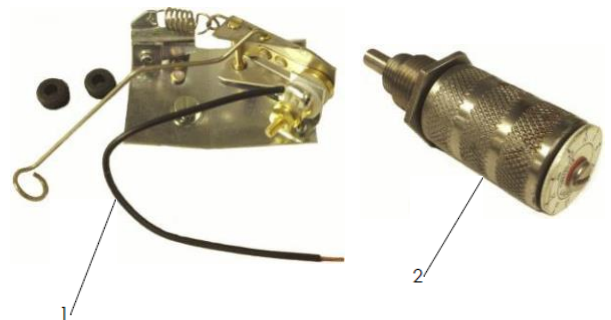
ID	ITEM NO	DESCRIPTION	QTY
-	600530	R-633T STOP SWITCH KIT, TOGGLE TYPE	-
1	800352	12-79 LOCKWASHER #10 EXTERNAL TOOTH	1
2	600066	C-7010-12 STOP-SWITCH AND BRACKET ASSY	1
3	800551	R-637 WASHER M4 FLAT ZINC	1
4	800540	R-611 LOCKWASHER M4 SPLIT ZINC	1
5	800494	R-665 SCREW M4-0.7X10 SLOT PAN	1
6	800983	C-7010-12C CONNECTOR BULLET FEM 16-14	1



ID	ITEM NO	DESCRIPTION	QTY
1	800112	R-646 RUBBER SWITCH COVER	-
2	800107	R-633 STOP SWITCH, W/RUBBER COVER	-

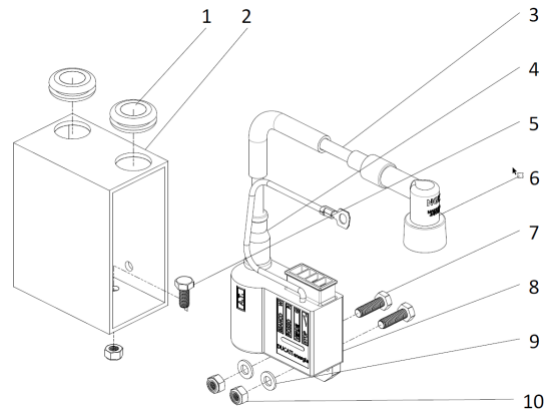


ID	ITEM NO	DESCRIPTION	QTY
1	600115	B-6288 CUTOUT SWITCH, MARK-3	-
2	600171	R-954-14 TIMING GAUGE 14/18 MM	-



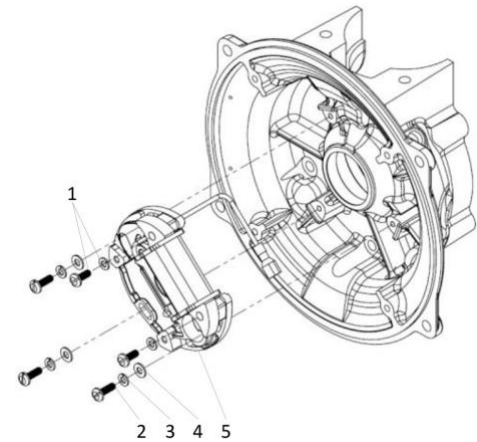
## CDI/DOS Ignition Spare Parts

ID	ITEM NO	DESCRIPTION	QTY
-	600125	B-7592 ELECTRONIC IGNITION BOX ASSY	-
1	800685	D-2902-9 GROMMET	2
2	700757	A-7589 MOUNTING BLOCK/ELECT. IGNITION	1
3	800039	R-274 IGNITION CABLE 500MM	1
4	800056	R-275 PROTECTION CAP	1
5	800529	FAST-18 HEX CAP SCREW M6 X 1 X 14MM LG	2
6	800121	R-650 PROTECTOR, SPARK PLUG	1
7	800526	FAST-20 HEX CAP SCREW M6 X 1 X 20MM LG	2
8	800057	R-273 ELECTRONIC BOX F/IGNITION	1
9	800549	FAST-510 FLAT WASHER M6, ZINC PLATED	2
10	800544	R-150 NUT M6X1.0 HEX FUJI LOCK ZINC	4



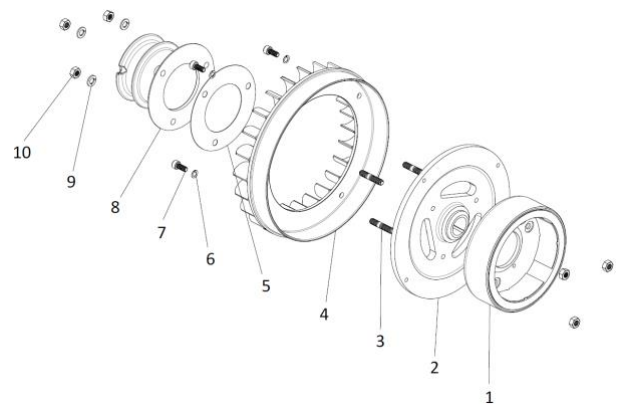
ID	ITEM NO	DESCRIPTION	QTY
1	800497*	R-655 SCREW M4X0.7X20 PHILLIPS W/ WASHER	2
2	800110	R-638 MACH. SCREW, PAN SLOTTED	3
3	800540	R-611 LOCKWASHER M4 SPLIT ZINC	3
4	800551	R-637 WASHER M4 FLAT ZINC	3
5	800073	R-661-CDI STATOR, COIL/ARMATURE ASSEMBLY	1

\* Included in R-661 CDI STATOR (800073)  
 Note: R-636 Grommet (800074) not shown.



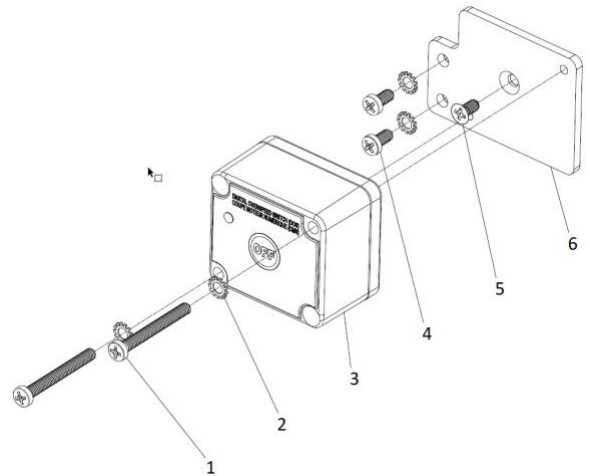
ID	ITEM NO	DESCRIPTION	QTY
1	701109*	R-668E MAGNETO CDI FOR 185CC	1
2	600534*	R-669 MAGNETO HOUSING 185CC W/ KEYWAY	1
3	800123*	R-602 STUD M6 X 1.0 X 31 MM LG	3
4	701110*	R-603N COMPOSITE FAN FOR 185CC	1
5	800102	R-653 PULLEY GASKET	1
6	801163*†	LOCKWASHER M5 TEETH SERRATED ZINC	4
7	800058*	R-146 ALLEN SCREW M5X12	4
8	800130	R-601 PULLEY FOR MANUAL START	1
9	801107	LOCKWASHER M6 SPLIT BOWED ZINC DICH.	3
10	800045*	R-116 HEX NUT M6X 1.0	6

\* Included in R-667N-ES Flywheel/Magneto/Fan Assy CDI (600535)  
 † For aluminum fan, use R-523 lockwasher M5 split (800553)



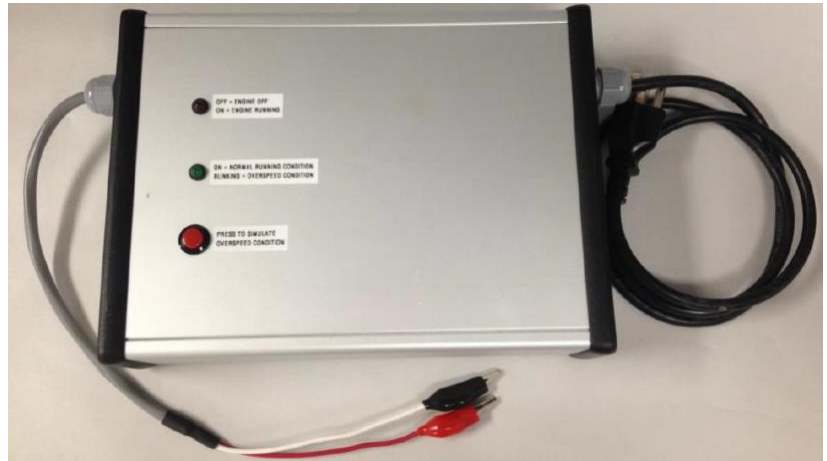
# TECH-NOTE

ID	ITEM NO	DESCRIPTION	QTY
1	800443	B-6289-3 SCREW M4X0.7X35 PHILLIPS CHEESE	2
2	800400	B-6289-6 LOCKWASHER M4 EXTERNAL TOOTH	4
3	700593	B-6289-1 DOS PRODUCTION UNIT	1
4	800402	B-6289-4 SCREW M4X0.7X8 PHILLIPS CHEESE ZINC	2
5	800413	B-6289-5 SCREW M4X0.7X8 PHILLIPS FLAT ZINC	1
6	700616	B-6289-2 DOS MK-3 BRACKET	1



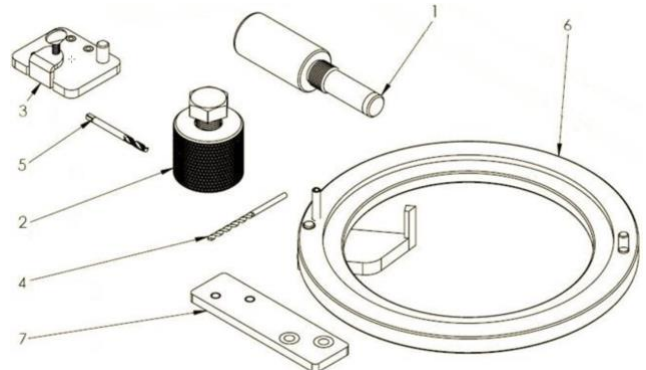
## DOS Testing Module

The troubleshooting of the DOS can be done while the MARK-3 is in operation or by using the DTM DOS Testing Module (700773).



## Tools

ID	ITEM NO	DESCRIPTION	QTY
1	701159	PISTON LOCKING TOOL FOR 185CC	1
2	700723	R-927 PULLER - MAGNETO (M38 X 1.5)	1
3	701158	JIG FOR DOS BRACKET DRILLING	1
4	801117	DRILL BIT #30 HIGH SPEED STEEL 2-3/4"LG	1
5	801118	TAP M4X.7 D4 SPIRAL POINT PLUG HIGH SPEED	1
6	801146	CDI IGNITION TIMING ADJUSTMENT TOOL	1
7	801162	DIS - FRAME DRILLING TOOL	1



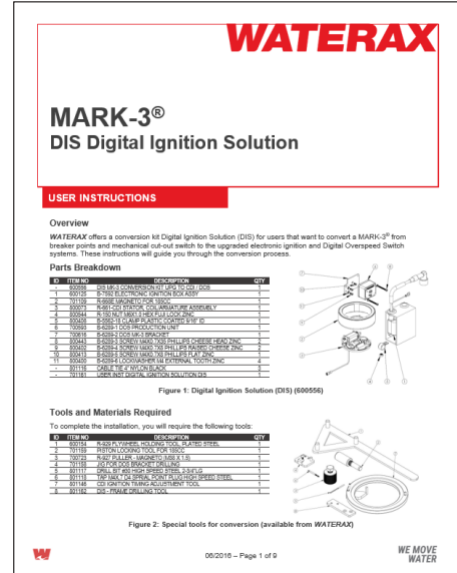
## Digital Ignition Solution (DIS) upgrade

To upgrade to the latest MARK-3 technology and benefit from the CDI ignition and Digital Overspeed Switch (DOS), a CDI ignition magneto cup must be installed. The magneto cup is included in the Digital Ignition Solution MARK-3 Conversion Kit (600556).

For additional information on the DIS kit and installation instructions, please consult the related Tech Note and User Instructions which are available online.



DIS MARK-3 Conversion Kit (600556)



User Instructions

# **WATERAX**

All information contained in this document including drawings is proprietary to *WATERAX* and may not be copied, reproduced or used in whole or in part without our prior written permission. The information in this document is subject to change without notice. Model displayed with multiple options. Weight and dimensions are approximated and may vary depending on options.

**WATERAX INC.**  
6635 Henri-Bourassa W.  
Montreal, QC H4R 1E1  
T 514 637-1818  
F 514 637-3985  
TF 1 855 616-1818  
[info@waterax.com](mailto:info@waterax.com)

**waterax.com**

To help you stay **#ReadyForWildfires**, we've made a few changes, placing 100% of our focus on manufacturing our core products, portable fire pumps.

To do so, we've established a network of trusted supply and distribution partners that can help us provide *WATERAX* pumps quickly in addition to water-handling equipment and accessories.

For immediate assistance when it comes to pumps and water-handling accessories, please [contact your local dealer](#).

For genuine spare parts, visit our [online store](#).

Copyright © 2015 WATERAX Inc.

Publication Number: 701360, Rev.1 All rights reserved. Printed in Canada.

